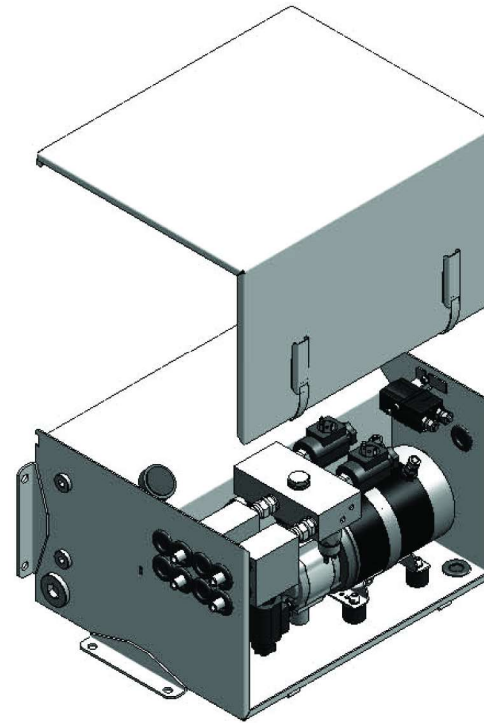
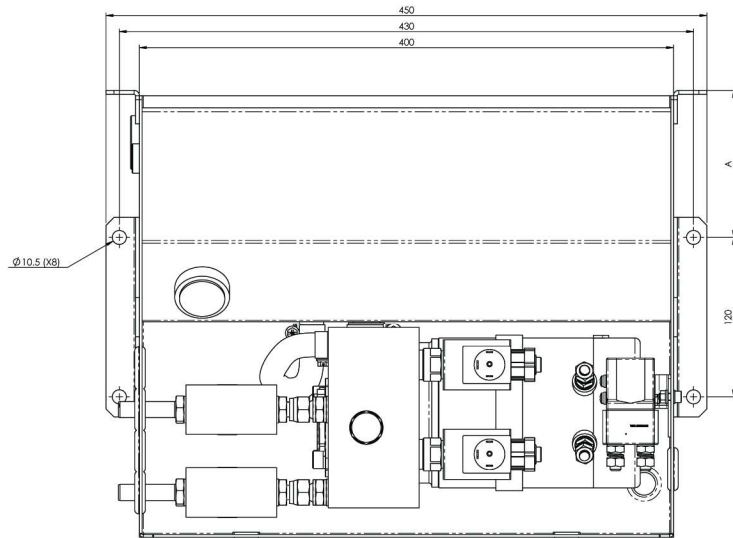


The DC motor is of S2/S3 duty, which can only be worked intermittently.  
 The dc motor and the solenoid valve should be activated simultaneously. It is forbidden to run the motor alone.  
 Mount this power pack horizontally.  
 Check the oil level in the tank after the first start of the power unit and filling of the application.  
 Change the oil after the first 100 hours of using the power unit, then change the oil every 3000 hours.  
 Hydraulic Fluid: use only ISO 6743/4 (DIN 51519) mineral base fluids, new and filtered before use (25µ).



**WARNING**  
 This power unit does not contain devices which protects users from the effect of sudden loss of pressure in hydraulic cylinders.  
 It is responsibility of the user to ensure the conformity of the installation with the local safety and health regulations, including a safety risk assessment.  
 It is prohibited to utilise the machine in which this product has been integrated before the former has been certified as complying with the conditions of machines guideline.

Tank Type	code	L	A	Usable volume
HF D-tank	D	352	110	9.8L
HF C-tank	C	282	60	6.2L
Other tanks available (see tank section of catalog)				

Pump part nr.	code	specification	flow at 180 bar (l/m)*		flow at 120 bar (l/m)*		Pos.8 Screw
			12V motor	24V motor	12V motor	24V motor	
2017	1.7	pump 1.7ccm/rev	3.9	4.3	4.6	4.9	mc658x75
2022	2.2	pump 2.2ccm/rev	4.3	5.2	5.4	6.0	mc658x80
2026	2.6	pump 2.6ccm/rev	4.4	5.7	6.0	6.6	mc658x80
2032	3.2	pump 3.2ccm/rev	3.3	6.5	6.5	7.6	mc658x90
2043	4.3	pump 4.3ccm/rev	3.7	6.6	5.8	9.1	mc658x90

other sizes available on request  
 \* nominal performance, real values may differ in practical use.

No.	Name	Part no.	Description	QTY.
1	Valve	HF 4136P-24H		2
2	Adapter	G AB 04 HB		2
3	Adapter	G HB 04		2
4	Pipe connector	RKL-G14-L12		4
5	Return hose	3/8" ISO 7840 A2		0.25m
6	Hose clamp	SK-022-09		2
7	Tank	See tank list		1
8	Screw	See pump list		2
9	Spring washer	8 DIN127B		2
10	Pump	See pump list		1
11	Suction elbow	2001-43		1
12	Suction hose	3/4" ISO 7840 A2		0.065m
13	Hose clamp	SK-027-12		2
14	Suction filter	5113		1
15	Vibration damper	VD20		4
16	Flat washer	6 DIN125A/ISO7089		8
17	Self-locking nut	M6 DIN985		8
18	Motor bracket	48001		1
19	Clamp	HF 1099		1
20	Screw	mc658x50		1
21	Motor	1012-2(12V)/1024-2(24V)		1
22	Start switch	3512(12V)/3524(24V)		1
23	Screw	mc65x12		2
24	Flat washer	5 DIN125A/ISO7089		4
25	Spring washer	5 DIN127B		2
26	Nut	M5		2
27	Valve	HF 124		1
28	Hollow bolt	HS R 1/4		1
29	Hose nipple	PN 10 BR 06		1
30	Sealing washer	G 1/4		10
31	Breathing cap	5112		1
32	Plug	G3/8		2
33	Plug	M33		1
34	Rubber bushing	5001		10

**HORNET**  
 FLUID POWER

The Power Pack  
 Number HF6029

First Angle Projection

Note: There might be minor dimensional and cosmetic differences between drawing and supplied products.